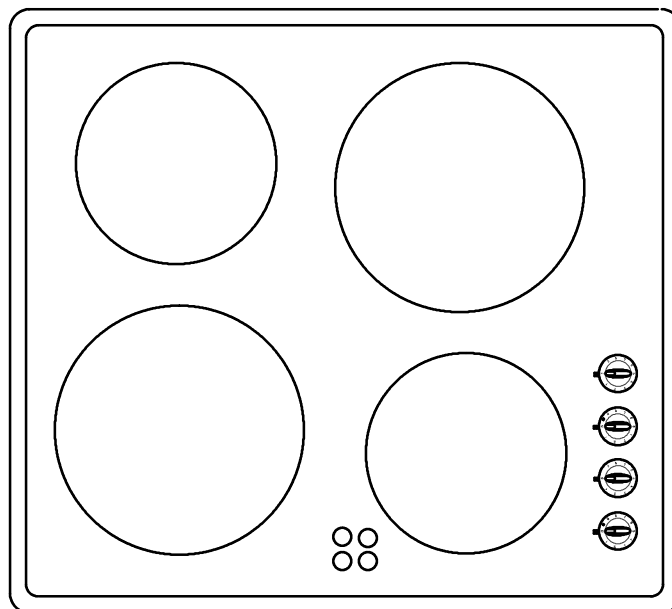


# TRICITY BENDIX

---

*Ceramic Glass Hob*

## Operating and Assembly Instructions



TBC 650 BL

# Dear Customer

Thank you for purchasing a Tricity Bendix product.

To enable you to use your appliance effectively and safely, please read this instruction book carefully before installing or using the appliance and retain for future reference. If you require guidance in the use of the appliance or require further information, contact our Customer Care Department.

Customer Care Department  
Tricity Bendix  
55 - 77 High Street  
Slough  
Berkshire  
SL1 1DZ

Tel: 08705 950950

## Help us to help you

To register your 12 month guarantee, please telephone us on

**0870 606 9876**

# Content

## Instructions for the User

Important Safety Information	4
Unpacking and Control	5
Description of the Hob	5
Before the First Use	5
Operating Instructions	6
The Right Cooking Utensils	7
Cleaning and Care	8
Something not Working	9
Service and Spare Parts	9
Customer Care	9
Tricity Bendix Service Force	10
Guarantee Conditions	12

## Instructions for the Installer

Technical Data	13
Important Safety Requirements	13
Installation	13
Electrical Connection	15

# Important Safety Information

This Safety Information is provided in the interests of your safety. Please read them carefully before installing or using the hob. If you are unsure of the meaning of any of the warnings please contact our Customer Care Department.

## Installation

- This appliance must be installed by qualified personnel, according to the manufacturer's instruction and to the relevant British Standards.
- Remove all packaging before using the appliance.
- Ensure the electrical supply complies with the type stated on the rating plate.
- Do not attempt to modify the hob in any way.
- Do not install the hob if the ceramic glass is damaged or cracked.

## Child Safety

- This appliance is designed to be operated by adults. Do not allow children to play near or with the appliance.
- The appliance gets hot when it is in use. Children should be kept away until it has cooled.
- Children can also injure themselves by pulling pots or pans off the hob.

## During Use

- Only use the hob when it is fully installed.
- This hob is intended for domestic cooking only. It is not designed for commercial industrial purposes.
- Ensure the power ON/OFF control is off when not in use.
- When using other electrical appliances, ensure the cable does not come into contact with the hot surfaces of the hob.
- Do not use unstable or mis-shapen pans on the hob.
- Never leave the hob unattended when cooking with oil or fat.
- Never use plastic or aluminium foil dishes on the hob.
- The cooking zones heat up quickly when they are turned on. Only turn them on when a saucepan is on the cooking zone.
- The residual heat indicator will not operate if there is a power failure.
- In case a pan/pot is left on the cooking zone the residual heat indicator can switch off even though the cooking zone may still be hot from the contents of the pan.

- Do not store temperature sensitive or inflammable materials (e.g. detergents, aerosols) in drawers or cupboards underneath the hob.
- The hob surface must not be used as a storage or working area.
- Do not allow sugar (solid or liquid) or plastic to come into contact with the hob surface when hot.
- Clean this hob in accordance with the Maintenance and Cleaning Instructions.
- Do not use the hob if the glass is damaged, contact your local Service Force Centre.

## Service

- This hob should only be repaired or serviced by an authorised Service Engineer and only genuine approved spare parts should be used.

## Disposal

- Please dispose of any packaging material and old appliances at authorised disposal sites.

# Unpacking and Control

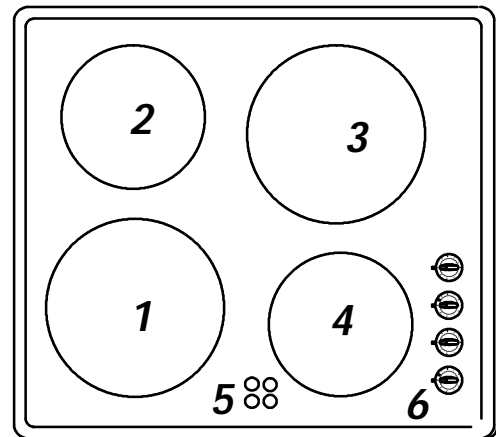


Please examine the appliance before installation. If the appliance is damaged please immediately contact your retailer before installation. The packing material should be disposed of safely, with due regard for the environment.

## Description of the Hob

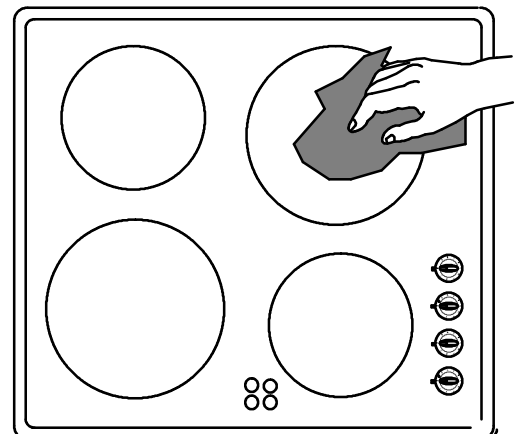
### TBC 650 BL

- 1 Cooking Zone Ø 180 mm, 1700 W
- 2 Cooking Zone Ø 145 mm, 1200 W
- 3 Cooking Zone Ø 180 mm, 1700 W
- 4 Cooking Zone Ø 145 mm, 1200 W
- 5 Residual heat indicators
- 6 Hotplate Switches



## Before the First Use

Clean your ceramic glass hob thoroughly before its first use. Then clean it regularly when it is just warm or cold. Ceramic glass hobs are treated and cleaned the same way as glass. When you use the ceramic hob for the first time it can temporarily emit an odour.



# Operating Instructions

## Heat Control Knobs

The control knobs regulates the heating capacity of the cooking zones.

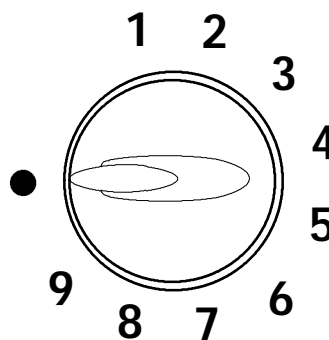
The control knobs for the cooking zone can be turned to the left and to the right to the desired position.

1 = minimum setting

9 = maximum setting.

Setting it back to "0" turns off the cooking zone.

Always put pans or pots on the halolight cooking zones, before switching on.

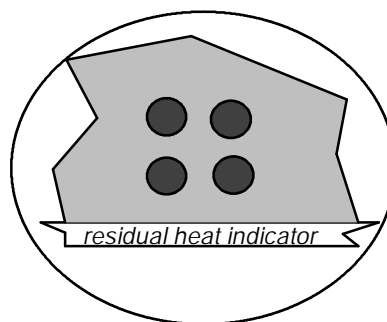


Hotplate setting chart		
Function		Examples
<b>OFF</b>	<b>0</b>	residual heat, keeping warm
keeping warm, melting	<b>1</b>	smaller amount of hot pot, sauce, butter, chocolate
Gentle simmering heating	<b>2</b>	rice spinach
Gentle frying	<b>2-3</b>	omelette, fried eggs
Simmering	<b>4-5</b>	vegetables, small amounts of fruit with little liquid
boiling	<b>5-6</b>	boiled potatoes, stews, soups, sauces
Frying	<b>6-7</b>	schnitzel, cutlets, meat-balls, fish-filet in deep fat
Quick frying	<b>7-8</b>	potato fritters, pancakes fried eggs
Boiling Deep fat frying	<b>9</b>	...then switch-back to appropriate setting

## Residual heat indicator

Each cooking zone is related to one indicator. The warning lamp lights up when the surface of the corresponding cooking zone reaches a temperature which could cause burns.

This light remains lit after the heated-up area has been switched off as long as the residual heat of the corresponding cooking surface can cause burns. The light will go out when the temperature falls below 60 °C.



# The Right Cooking Utensils

## Saucepans and frying pans

Saucepans and frying pans should not be smaller than the cooking zone, and preferably not more than 10-15 mm larger than the diameter of the cooking zone.

Always use cooking and frying utensils with smooth, flat bottoms.

The bottoms should always be clean and dry. Cook with a lid in place.

Check that the bottoms of utensils are smooth and undamaged; bottoms with burrs and sharp edges will scratch the ceramic glass surface.


Scratches can also be caused by grains of sand (e.g. originating from the previous washing of vegetables), drawn over the cooking surface with the pan, or by burrs and the rims of pan bottoms.

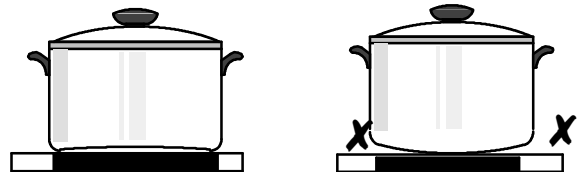
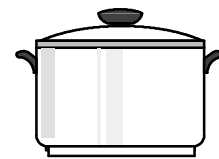
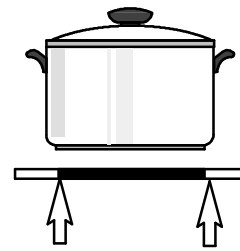
To avoid scratching or damaging the ceramic glass surface, pots and pans should be moved on the plate by lifting them, and not by sliding.

Utensils with aluminium and copper bottoms can leave behind metallic discolorations which can only be removed with difficulty or sometimes not at all.

When cold, pan bases normally curve slightly inwards by approx. 0,1-0,5 mm (are concave). In no case should they curve outwards (be convex).

Follow any guidelines provided by the saucepan manufacturer. Ensure they are recommended for use on ceramic hobs.

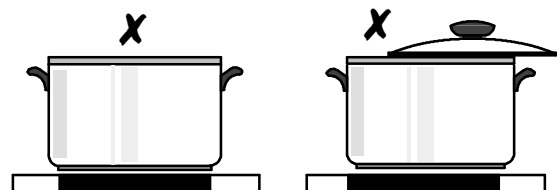
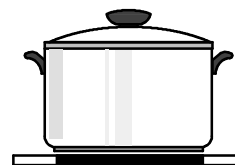
 Check that the appliance is switched off after use.



## Energy consumption

To save energy, you should . . .

- use only cooking and frying utensils with smooth, flat bottoms.
- place pots and pans in position before switching in the cooking zone.
- wherever possible, cover pots and pans with a lid.
- switch off the cooking zone a few minutes before the end of the cooking time, in order to make use of the residual heat.
- use the residual heat of the cooking zones for keeping food warm or for melting.
- position pots and pans centrally on the cooking zones.

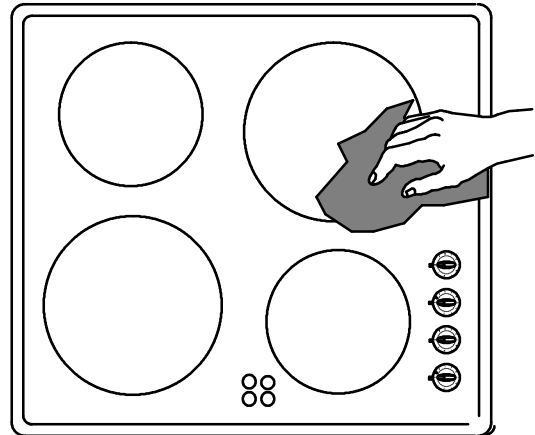


# Cleaning and Care

Before cleaning, make sure the hob is cool and disconnected from the power supply.

**⚠** Never use aggressive or abrasive agents, such as oven sprays, stain or rust removers, scouring powder, or sponges with an abrasive effect.

Special cleaning agents such as Vitroclen and ceramic scrapers are available from department stores, electrical specialist shops, and in drug and grocery stores.



## Cleaning after each use

- Slight, non-burnt soiling can be wiped off with a damp cloth.
- Burnt soiling has to be removed with a scraper. Afterwards wipe off the ceramic glass surface with a damp cloth, and Vitroclen.

## Stain removal

- Light metallic stains (aluminium residues) can be removed from the cooking zone with a ceramic hob cleaning agent such as Vitroclen when cool.
- Sugar solutions, food stuffs with a high sugar content, plastics, or kitchen foil - must be removed immediately with a scraper. If this type of soilage is not removed immediately it can cause irreparable damage to the ceramic glass surface. When the surface has cooled wipe over with a damp cloth and Vitroclen.
- Before using any detergent or cleaning agent on the ceramic glass top, ensure they are recommended by the manufacturer for use on ceramic glass hobs.
- Do not apply any cleaning agents to hot cooking zones. Ensure any residues are wiped off before the cooking zones are used again.

Special problems	
... if a chemical cleaner proves inadequate	Check whether the use of a scraper is more effective.
... when dark stains occur	If the use of a scraper and a stainless steel cleaning agent proves unsuccessful, your decor surface has most likely been scratched by using unsuitable cleaning agents, or by pan bottoms with a scouring effect. This will not impair the efficiency of your cooking surface.
... when metallic discolouration appear on the cooking zones	Pots and pans with unsuitable bottoms, or unsuitable cleaning agents have been used. The discolouration can only be removed with considerable effort, using a ceramic glass or stainless steel cleaning agent.
... when the surface shows scratches or impressions	These blemishes, caused by scraping or melted on objects, cannot be removed. This will not impair the efficiency of your cooking surface.



# Something not working

If your hob is not functioning correctly please carry out the following checks before calling out an engineer.

**Important: If you call out an engineer to a fault listed below, or to repair a fault caused by incorrect use or installation, a charge will be made even if the appliance is under guarantee.**

Symptom	Possible Solution
<ul style="list-style-type: none"><li>The cooking zones do not function</li></ul>	<ul style="list-style-type: none"><li>Check the mains fuse has not failed</li><li>Check a power level has been selected</li></ul>
<ul style="list-style-type: none"><li>After switching off a cooking zone the hob hot indicator is not illuminated</li></ul>	<ul style="list-style-type: none"><li>The cooking zone may have only been switched on for a short while, and is therefore below 60 °C</li></ul>
<ul style="list-style-type: none"><li>A buzzing is heard when a cooking zone is switched on</li></ul>	<ul style="list-style-type: none"><li>This is not a fault, the buzzing will disappear as the zone heats up</li></ul>
<ul style="list-style-type: none"><li>Discolorations appear in the cooking zone</li></ul>	<ul style="list-style-type: none"><li>This is probably a result of burned on remnants that have not been removed regularly. They will not affect the function of the hob.</li></ul>

If after carrying out the above checks there is still a fault, contact your local Service Force Centre.

## Service and Spare Parts

If you require an engineer or you wish to purchase spare parts contact your local Tricity Bendix Service Force Centre by telephoning:

**08705 929929**

Your call will be routed to the Service Centre covering your post code area. The addresses are listed on the pages headed Tricity Bendix Service Forces Centres.

When you contact the Service Centre you will need to give the following details:

- 1 Your name, address and post code.
- 2 Your telephone number.
- 3 Clear and concise details of the fault.
- 4 The model and serial number of the appliance (Found on the rating plate).
- 5 The purchase date.

In guarantee customer should ensure that the checks listed in "Something not working" have been made as the engineer will make a charge if the fault is not a mechanical or electrical breakdown.

## Customer Care

For general enquiries or for further information on Tricity Bendix products, please contact our Customer Care Department.

**Tricity Bendix**  
55 - 77 High Street  
Slough  
Berkshire  
SL1 1DZ

**Tel: 08705 950950**

To contact your local Tricity Bendix Service Centre telephone **08705 929 929**

<p align="center"><b>CHANNEL ISLANDS</b></p> <p>GUERNSEY      <b>Guernsey Electricity</b> PO Box 4 Vale, Guernsey Channel Islands GY1 3AD</p> <hr/> <p>JERSEY      <b>Jersey Electricity Company</b> PO Box 45 Queens Road St Helier Jersey Channel Islands JE4 8NY</p>		<p>ORKNEY (M65)      <b>Corsie Domestics</b> 7 King Street Kirkwall Orkney KW15</p> <hr/> <p>PERTH      <b>Hydro Electrical</b> Inveralmond House Ruthervenfield Road Perth PH1 3AQ</p> <hr/> <p>PERTH (OWN SALES)      <b>Graham Begg</b> Unit 4 Airport Ind Estate Wick KW1 4QS</p> <hr/> <p>SHETLAND      <b>Tait Electronic Systems Ltd</b> Holmsgarth Road Lerwick Shetland ZE1 0PW</p> <hr/> <p>SHETLAND (OWN SALES)      <b>Bolts Shetland Ltd.</b> 26 North Road Lerwick Shetland ZE1 0PE</p> <hr/> <p>WHALSAY (OWN SALES)      <b>Leask Electrical</b> Harisdale Symbister, Whalsay Shetland ZE2 9AA</p>	<p align="center"><b>NORTH EAST</b></p> <p>GATESHEAD (M39)      <b>Unit 356a</b> Dukesway Court Dukesway Team Valley Gateshead NE11 0BH</p> <hr/> <p>GRIMSBY (M42)      <b>15 Hainton Avenue</b> Grimsby South Humberside DN32 9AS</p> <hr/> <p>HULL (M41)      <b>Unit 1</b> Boulevard Industrial Estate Hull HU3 4AY</p> <hr/> <p>LEEDS (M37)      <b>64-66 Cross Gates Road</b> Leeds LS15 7NN</p> <hr/> <p>NEWTON AYCLIFFE (M45)      <b>Unit 16</b> Gurney Way Aycliffe Industrial Estate Newton Aycliffe DL5 6UJ</p> <hr/> <p>SHEFFIELD (M38)      <b>Pennine House</b> Roman Ridge Ind. Est Roman Ridge Road Sheffield S9 1GB</p>
<p align="center"><b>SCOTLAND</b></p> <p>ABERDEEN (M05)      <b>54 Claremont Street</b> Aberdeen AB10 6RA</p> <hr/> <p>AUCHTERMUCHTY (M03)      <b>33a Burnside</b> Auchtermuchty Fife KY14 7AJ</p> <hr/> <p>BLANTYRE (M07)      <b>Unit 5</b> Block 2 Auchenraith Ind. Estate Rosendale Way Blantyre G72 0NJ</p> <hr/> <p>DUMFRIES (M01)      <b>93 Irish Street</b> Dumfries Scotland DG1 2 PQ</p> <hr/> <p>DUNOON (M67)      <b>Brair Hill</b> 7 Hill Street Dunoon Argyll PA23 7AL</p> <hr/> <p>GLASGOW (M04)      <b>20 Cunningham Road</b> Clyde Estate Rutherglen Glasgow G73 1PP</p> <hr/> <p>INVERNESS (M06)      <b>Unit 3B</b> Smithton Ind. Estate Smithton Inverness IV1 AJ</p> <hr/> <p>ISLE OF ARRAN (OWN SALES)      <b>Arran Domestics</b> Unit 4 The Douglas Centre Broddick Isle of Arran KA27 8AJ</p> <hr/> <p>ISLE OF BARRA (OWN SALES)      <b>J Zerfah</b> 244 Bruernish Isle of Barra Western Islands HS9 5QY</p> <hr/> <p>ISLES OF BUTE (M66)      <b>Walker Engineering</b> Glenmhor Upper Serpentine Road Rothesay Isle of Bute PA20 9EH</p> <hr/> <p>ISLE OF LEWIS (M69)      <b>ND Macleod</b> 16 James Street Stornoway Isle of Lewis PA87 2QW</p> <hr/> <p>KELSO (M08)      <b>2-8 Wood Market</b> Kelso Borders TD5 7AX</p>		<p align="center"><b>NORTHERN IRELAND</b></p> <p>BELFAST (M27)      <b>Owenmore House</b> Kilwee Business Park Upper Dunmury Lane Belfast BT17 0HD</p>	<p align="center"><b>NORTH WEST</b></p> <p>BIRKENHEAD (M11)      <b>1 Kelvin Park</b> Dock Road Birkenhead L41 1LT</p>
		<p align="center"><b>WALES</b></p> <p>CARDIFF (M28)      <b>Guardian Industrial Estate</b> Clydesmuir Road Tremorfa Cardiff CF2 2QS</p> <hr/> <p>CLYWD (M14)      <b>Unit 6-7 Coed – Parc</b> Abergele Road Rhuddlan Clwyd Wales LL18 5UG</p> <hr/> <p>DYFED (M77)      <b>Maes Y Coed</b> High Mead Llanybydder Carmarthenshire SA40 9UL</p> <hr/> <p>HAVERFORDWEST (M75)      <b>Cromlech Lodge</b> Ambleton Haverfordwest Pembrokeshire SA62 5DS</p> <hr/> <p>OSWESTRY (M17)      <b>Plas Ffynnon</b> Warehouse Middleton Road Oswestry SY11 2PP</p>	<p>CARLISLE (M10)      <b>Unit 7</b> James Street Workshops James Street Carlisle Cumbria CA2 5AH</p> <hr/> <p>ISLE OF MAN (M64)      <b>South Quay Ind. Estate</b> Douglas Isle of Man IM1 5AT</p> <hr/> <p>LIVERPOOL (M15)      <b>Unit 1</b> Honeys Green Precinct Honeys Green Lane Liverpool L12 9JH</p> <hr/> <p>MANCHESTER (M09)      <b>Unit B</b> Central Industrial Estate St Marks Street Bolton BL3 6NR</p> <hr/> <p>PRESTON (M13)      <b>Unit 250</b> Dawson Place Walton Summit Bamber Bridge Preston Lancashire PR5 8AL</p> <hr/> <p>STOCKPORT (M16)      <b>Unit 20 Haigh Park</b> Haigh Avenue Stockport SK4 1QR</p>

To contact your local Tricity Bendix Service Centre telephone **08705 929 929**

<p><b>MIDLANDS</b></p> <p><b>BIRMINGHAM (M18)</b> 66 Birch Road East Wyrley Road Ind. Estate Witton Birmingham B6 6DB</p>	<p><b>LONDON &amp; EAST ANGLIA</b></p> <p><b>BECKENHAM (M79)</b> 11a Gardener Ind. Estate Kent House Lane Beckenham Kent BR3 1QZ</p>	<p><b>SUNBURY (M63)</b> Unit 1a The Summit Hanworth Road Hanworth Ind. Estate Sunbury on Thames TW16 5D</p>
<p><b>BOURNE (M44)</b> Manning Road Ind. Estate Pinfold Road Bourne PE10 9HT</p>	<p><b>CHELMSFORD (M47)</b> Hanbury Road Widford Ind. Estate Chelmsford Essex CM12 3AE</p>	<p><b>SOUTH EAST</b></p> <p><b>ASHFORD (M58)</b> Unit 2 Bridge Road Business Est. Bridge Road Ashford Kent TN2 1BB</p>
<p><b>BRIDGNORTH (M72)</b> 68 St. Mary's Street Bridgnorth Shropshire WV16 4DR</p>	<p><b>COLINDALE (M53)</b> Unit 14 Capitol Park Capitol Way Colindale London NW9 0EQ</p>	<p><b>FLEET (M59)</b> Unit 1 Redsfield Ind. Estate Church Crookham Fleet Hampshire GU13 0RD</p>
<p><b>GLOUCESTER (M23)</b> 101 Rycroft Street Gloucester GL1 4NB</p>	<p><b>ELTHAM (M78)</b> 194 Court Road Mottingham Eltham London SE9 4EW</p>	<p><b>HAYWARDS HEATH (M55)</b> 21-25 Bridge Road Haywards Heath Sussex RH16 1UA</p>
<p><b>HEREFORD (M31)</b> Unit 3 Bank Buildings Cattle market Hereford HE4 9HX</p>	<p><b>ENFIELD (M49)</b> 284 Alma Road Enfield London EN3 7BB</p>	<p><b>SOUTH WEST</b></p> <p><b>BARNSTAPLE (M30)</b> Main Road Fremington Barnstaple North Devon EX31 2NT</p>
<p><b>HIGHAM FERRERS (M51)</b> 30 High Street Higham Ferrers Northants NN10 8BB</p>	<p><b>GRAVESEND (M57)</b> Unit B4 Imperial Business Estate Gravesend Kent DA11 0DL</p>	<p><b>BOURNEMOUTH (M26)</b> 63-65 Curzon Road Bournemouth Dorset BH1 4PW</p>
<p><b>ILKESTON (M43)</b> Unit 2 Furnace Road Ilkeston DE7 5EP</p>	<p><b>HARPENDEN (M46)</b> Unit 4 Riverside Estate Coldharbour Lane Harpenden AL5 4UN</p>	<p><b>BRIDGEWATER (M35)</b> 6 Hamp Ind. Estate Bridgewater Somerset TA6 3NT</p>
<p><b>LEICESTER (M22)</b> Unit 7 Oaks Ind. Estate Coventry Road Narborough Leicestershire LE0 5GF</p>	<p><b>LETCHWORTH (M50)</b> 16-17 Woodside Ind. Estate Works Road Letchworth Herts SG6 1LA</p>	<p><b>BRISTOL (M25)</b> 11 Eldon Way Eldonwall Trading Bristol Avon BS4 3QQ</p>
<p><b>LINCOLN (M40)</b> Unit 8 Stonefield Park Clifton Street Lincoln LN5 8AA</p>	<p><b>LONDON (M76)</b> 2/4 Royal Lane Yiewsley West Drayton Middlesex UB7 8DL</p>	<p><b>EMSWORTH (M33)</b> 266 Main Road Southbourne Emsworth PO10 8JL</p>
<p><b>NEWCASTLE UNDER LYME (M12)</b> 18-21 Croft Road Brampton Ind. Estate Newcastle under Lyme Staffordshire ST5 0TW</p>	<p><b>MAIDENHEAD (M60)</b> Reform Road Maidenhead Berkshire SL6 8BY</p>	<p><b>ISLE OF WIGHT (M34)</b> Unit 8 Enterprise Court Ryde Business Park Ryde Isle of Wight PO33 1DB</p>
<p><b>REDDITCH (M20)</b> 13 Thornhill Road North Moons Moat Redditch Worcestershire B98 9ND</p>	<p><b>MOLESEY (M61)</b> 10 Island Farm Avenue West Molesey Surrey KT8 2UZ</p>	<p><b>NEWTON ABBOT (M29)</b> Unit 2 Zealley Ind. Estate Kingsteignton Newton Abbot S. Devon TQ12 3TD</p>
<p><b>TAMWORTH (M19)</b> Unit 3 Sterling Park Claymore Tamworth B77 5DO</p>	<p><b>NEWBURY (M24)</b> 9 Pipers Court Berkshire Drive Thatcham Berkshire RG19 4ER</p>	<p><b>REDRUTH (M36)</b> Unit 7D Pool Ind. Estate Wilson Way Redruth Cornwall TR15 3QW</p>
<p><b>WORCESTER (M73)</b> Units 1 &amp; 2 Northbrook Close Gregorys Mill Ind. Estate Worcester WR3 8BP</p>	<p><b>IPSWICH (M48)</b> Unit 6C Elton Park Business Centre Hadleigh Road Ipswich IP2 0DD</p>	
	<p><b>NORWICH (M52)</b> 2b Trafalgar Street Norwich NR1 3HN</p>	

# Guarantee Conditions

## Standard guarantee conditions

We, Tricity Bendix, undertake that if within 12 months of the date of the purchase this Tricity Bendix appliance or any part thereof is proved to be defective by reason only of fault workmanship or materials, we will, at our option repair or replace the same FREE OF CHARGE for labour, materials or carriage on condition that:

The appliance has been correctly installed and used only on the electricity supply stated on the rating plate.

The appliance has been used for normal domestic purposes only, and in accordance with the manufacturer's instructions.

The appliance has not been serviced, maintained repaired, taken apart or tampered with any person not authorised by us.

All service work under this guarantee must be undertaken by an Tricity Bendix Service Force Centre.

Any appliance or defective part replaced shall become to Company's property.

This guarantee is in addition to your statutory and other legal rights.

Home visits are made between 8.30 am and 5.30 pm Monday to Friday. Visits may be available outside these hours in which case a premium will be charged.

## Exclusions

### This guarantee does not cover:

Damage or calls resulting from transportation, improper use or neglect, the replacement of any light bulbs or removable parts of glass or plastic.

Costs incurred for calls to put right an appliance which is improperly installed or calls to appliances outside the United Kingdom.

Appliances found to be in use within a commercial environment, plus those which are subjected to rental agreements.

Products of Tricity Bendix manufacture which are not marketed by Tricity Bendix.

## European Guarantee

If you should move to another country within Europe then your guarantee moves with you to your new home subject to the following qualifications:

The guarantee starts from the date you first purchased your product.

The guarantee is for the same period and to the same extent for labour and parts as exists in the new country of use for this brand or range of products.

This guarantee relates to you and cannot be transferred to another user.

Your new home is within the European community (EC) or European Free Trade Area.

The product is installed and used in accordance with our instructions and is only used domestically, i.e. a normal household.

The product is installed taking into account regulations in your new country.

Before you move please contact your nearest Customer Care Centre, listed below, to give them details of your new home. They will then ensure that the local Service Organisation is aware of your move and able to look after your appliances.

<b>France</b>	Senlis	+33	(0)	3 44 62 22 22
<b>Germany</b>	Nürnberg	+49	(0)	911 3232 2600
<b>Italy</b>	Pordenone	+39	(0)	1678 47053
<b>Sweden</b>	Stockholm	+46	(0)	20 78 77 50
<b>UK</b>	Slough	+44	(0)	1753 219 898

# Instructions for the Installer

Please examine the appliance for any damage. If the appliance is damaged contact your retailer before the appliance is connected.

Please keep packaging away from children and dispose of with due regard for the environment.

## Technical Data

### TBC 650 BL

#### Hob dimensions:

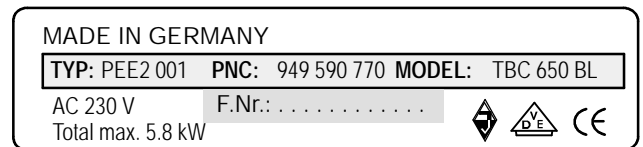
length:	572 mm
depth:	502 mm
height:	49 mm

#### Cut out dimensions:

length:	560 mm
depth:	490 mm

Voltage	230 V - 50 Hz
Cable	6 mm
Total power:	5,8 kW
Fuse rating	30 Amp

We reserve the right to make technical changes.



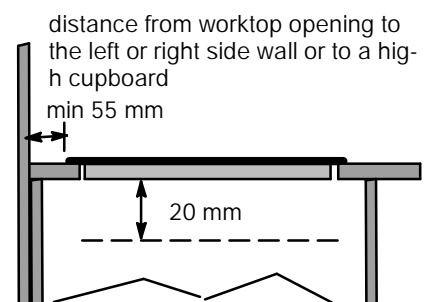
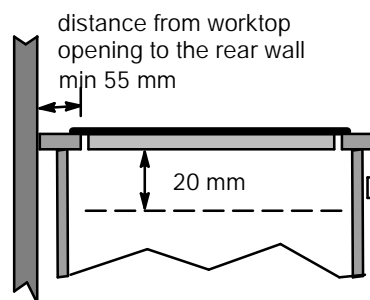
## Important Safety Requirements

- The hob must only be installed by a qualified electrician.
- Damaged hobs with cracks or breakages in the ceramic glass surface must not be connected to the electrical supply.
- This hob must be installed in accordance with the IEE Wiring Regulations (current Edition). Detailed recommendations are contained in the following British Standards Codes of Practice: B.S. 6172/B.S. 5440 Part 2 and B.S. 6891 Current Editions.

## Installation dimensions

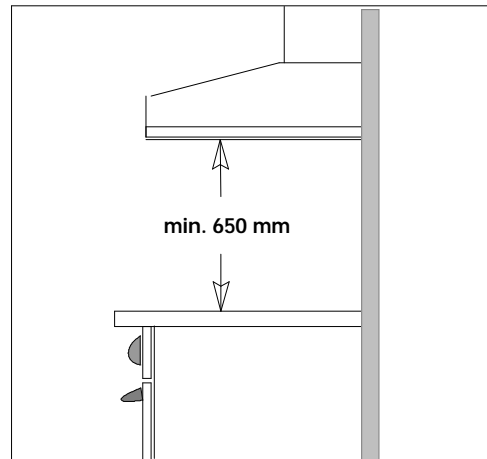
The opening in the cabinet must correspond to the standard dimensions. The necessary information can be found in the dimensional sketch.

- The separation between the lower surface of the hob and the parts of the furniture below it must be at least 20 mm
- The lateral separation between the sides of the hob and the cabinet must be at least 55 mm, and must be at least 55 mm from the rear panel.



- The minimum distance combustible material can be fitted above the hob in line with the edges of the hob is 420 mm. If it is fitted below 420 mm a space of 55 mm must be allowed from the edges of the hob.
- The minimum distance combustible material can be fitted directly above the hob is 700 mm.
- If a cooker hood is installed above the hob, a clearance height of 650 mm must be allowed.

**This appliance conforms to Type Y (IEC 335-2-6) with regard to fire protection. Only appliances of this type may be installed on one side of adjacent cabinets or walls.**



## Installation

- Cut the worktop according to the prescribed dimensions. See fig. 1. Saw exactly along the scribed line.
- Place according to figure 2.

## Fastening according to fig. 3

- Tighten bracket against the underside of the worktop. Fix according to figure 3.
- Using a screwdriver, tighten the tension clamps evenly starting at the centre and moving diagonally until the built-in rim is tight on the worktop.
- Do not over tighten.
- Do not use an electric or pneumatic screwdriver without an adjustable safety clutch.

fig 1

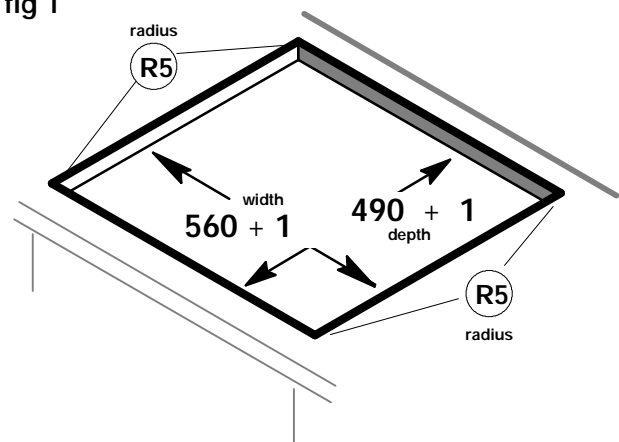


fig 2

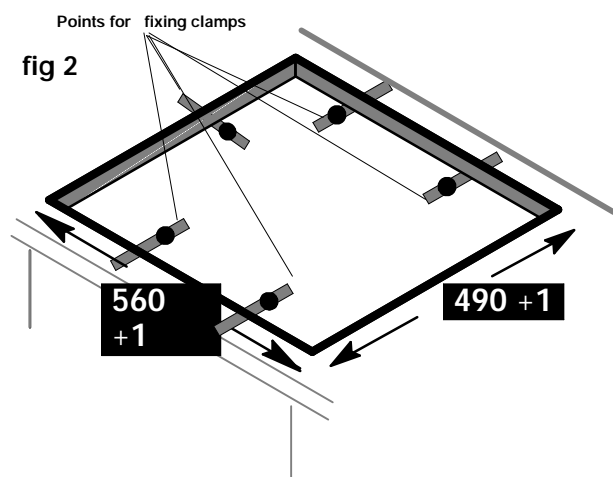
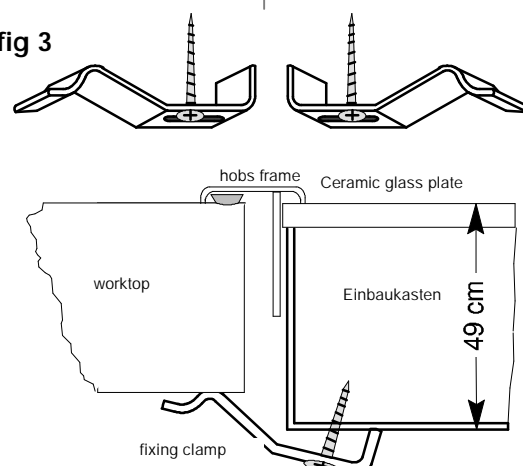


fig 3



# Electrical connections

Before connecting the appliance, check that the voltage quoted on the rating plate - that is, the nominal voltage of the appliance - corresponds to the available mains voltage. The rating plate can be found on the lower housing of the ceramic glass hob.

The mains connection must be carried out by an expert electrician. The VDE-regulations and the valid prescriptions by the local power supply boards have to be compiled with.

Prior to connection it should be checked whether the voltage stated on the type plate - i.e. the nominal voltage of the appliance and of the oven/control box - is identical with the prevailing mains voltage. The type plate is located on the hobs bottom.

The heating element voltage amounts to 230 V ~. The appliance will also perfectly perform with the former mains voltage of 220 V ~.

The mains connection must be carried out in a way that an all-pole insulating device is existing with a contact opening of at least 3 mm, e.g. LS-automatism, earth-leakage circuit-breaker or fuse.

A wire of type H05VV-F or of higher rating is to be used as supply cable.

The mains terminal is located in the bottom of the appliance behind a covering slide. It can be opened with a screw driver (pict.).


According to existing mains voltage the appliance has to be connected in correspondence with the diagrams of connecting possibilities. The bridges of the terminal board are to be changed accordingly, if need be.

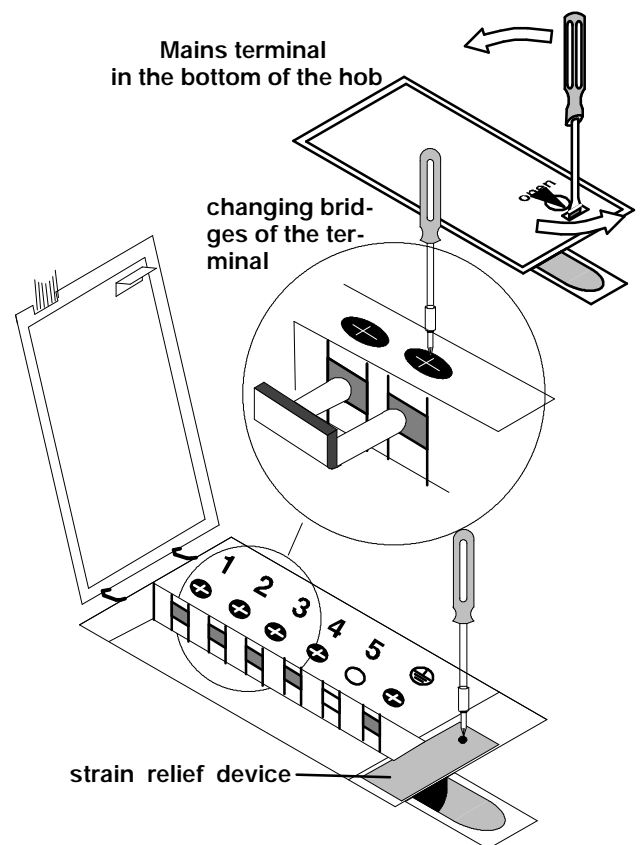
The protective conductor is to be connected to terminal  $\oplus$ . The protective conductor must be longer than live leads.

**The cable connections have to be established as prescribed and the terminal screws be firmly tightened.**

Afterwards the supply cable has to be secured by strain relief device and the covering slide must be closed by firmly pressing down (until it engages).

Prior to first use remove any possibly existing labels and protective film from the ceramic glass plate or the frame of the hob.

 After connecting the electrical supply, all cooking zones should be briefly switched on one after the other at their maximum power, in order to test whether they are operational.



Connecting possibilities						
1	2	3	4	5	$\oplus$	3 x 6 mm <sup>2</sup> (30 A) 230 V ~ 1 L + N
L1		N				
1	2	3	4	5	$\oplus$	4 x 2,5 mm <sup>2</sup> (20 A) 400 V 2 N ~ 2 L + N
L1	L2		N			
1	2	3	4	5	$\oplus$	5 x 2,5 mm <sup>2</sup> (16 A) 400 V 3 N ~ 3 L + N
L1	L2	L3	N			
1	2	3	4	5	$\oplus$	3 x 4 mm <sup>2</sup> (32 A) 230 V 2 ~ 2 L
L1	(L3)		L2			
1	2	3	4	5	$\oplus$	4 x 2,5 mm <sup>2</sup> (20 A) 230 V 3 ~ 3 L
L1	L2	L3				

